

# 24 year expertise in refrigeration control

## IoT-based Cold Storage Business Unit Electric Control Box Product Selection Guide Since 1996



**Elitech Technology Inc.**

Tel: (+1) 408-898-2866  
Website: [www.elitechus.com](http://www.elitechus.com)  
Add: 1551 McCarthy Blvd, Milpitas, CA 95035 USA

**ELitech Brazil Ltda**

Tel: (+55)51-3939-8634  
Website: [www.elitechbrasil.com.br](http://www.elitechbrasil.com.br)  
Add: R. Dona Rosalina, Canoas - RS, 92410-695, Brazil

**Elitech Jiangsu**

Tel: 400-067-5966  
Website: [www.e-elitech.com](http://www.e-elitech.com)  
Add: Tongshan Economic  
DevelopmentZone, Xuzhou, Jiangsu, China

**Elitech (UK) Limited**

Tel: (+44)208-858-1888  
Website: [www.elitech.uk.com](http://www.elitech.uk.com)  
Add: 53 Norman Road, London, SE10 9QF UK

**Elitech Polska Sp. Z.O.O.**

Tel: (+48)605-885-502  
Website: [www.elitech.com.pl](http://www.elitech.com.pl)  
Add: ul. Wilanowska 205-509 Józefosław

**Temtop Shanghai**

Tel: 400-996-0916  
Website: [www.temtopus.com.cn](http://www.temtopus.com.cn)  
Add: China Merchants Tower,  
161 East Lujiazui Road, Shanghai

**ELitech Russia**

Tel: (+7) 915-167-2810  
Add: 5th Donskoy Drive, No.15,  
Moscow, Russia



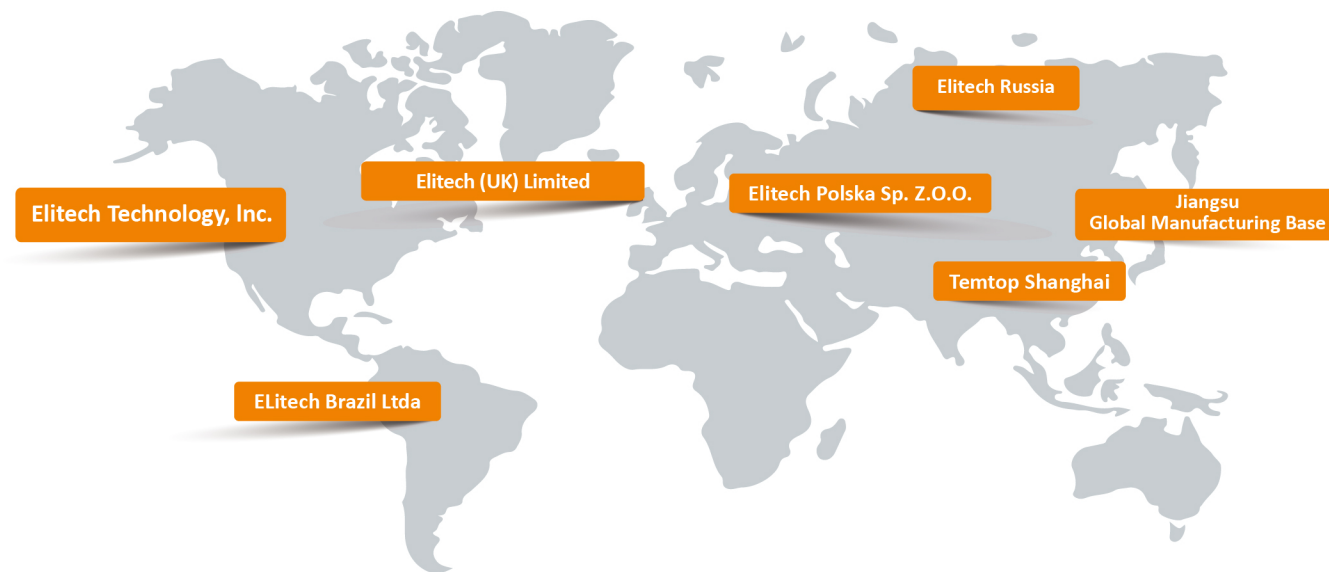
**Elitech**<sup>®</sup>  
*Innovation Preceding All*

## About Us

### Elitech Technology, Inc.

Elitech comes from Silicon Valley of California, the United States, adjacent to world's high-tech and innovated companies like Cisco. Elitech constant pursuit on technology and innovation has already integrated and presented in our full range of IoT products. Our primary strategy on globalization has prompted us to set up subsidiaries in London, Brazil and Russia.

Our advanced 30,000m<sup>2</sup> manufacturing plant in Jiangsu, China and under constructions' 200,000m<sup>2</sup> new plant make the fast delivery possible on large orders. More than 10 million data logger products are sold every year to over 20 countries around the world. Our 500m<sup>2</sup> professional testing laboratory has been used to guarantee the quality of every Elitech product and the transportation risks of every stage are under control for our global partners in cold chain related products and services.



## R&D Center



## Test Laboratory

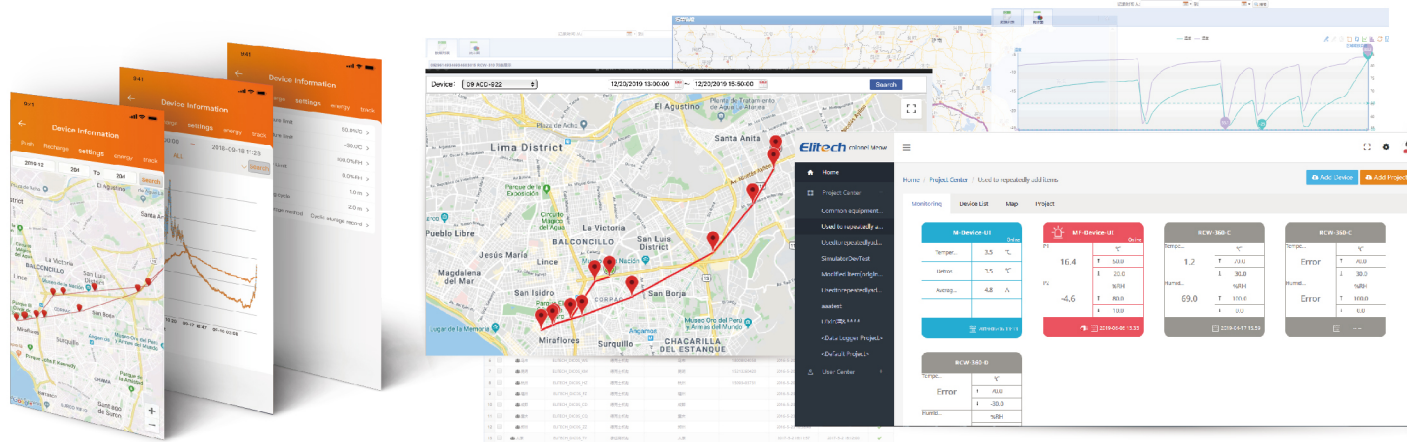


## Production Center



# Elitech iCold®

Elitech iCold® is a cloud-based remote accessible platform. It is compatible with RCW series products to realize real-time monitoring of cold chain data, automatic alerts and notifications, online data analysis and management. iCold helps users to achieve effective management of every step of cold chain and immediate assessment compliance. It complies with FDA CFR 21 Part 11 requirements and supports iOS and Android apps.



The six functional modules provide you with a comprehensive monitoring

- Real-time Monitoring
- Alarm Management
- Device Positioning
- Early warning
- User Management
- Data Analysis

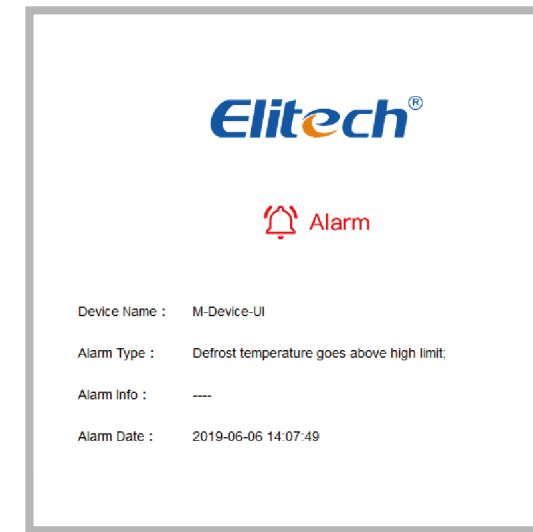
**Compliance**  
 FDA compliant, comply with international pharmaceutical industry regulations

**Safe**  
 Real-time monitoring, multi alarms to ensure the safety of food and drug

**Feel Relieved**  
 Keep monitoring 24/7 to make sure data security

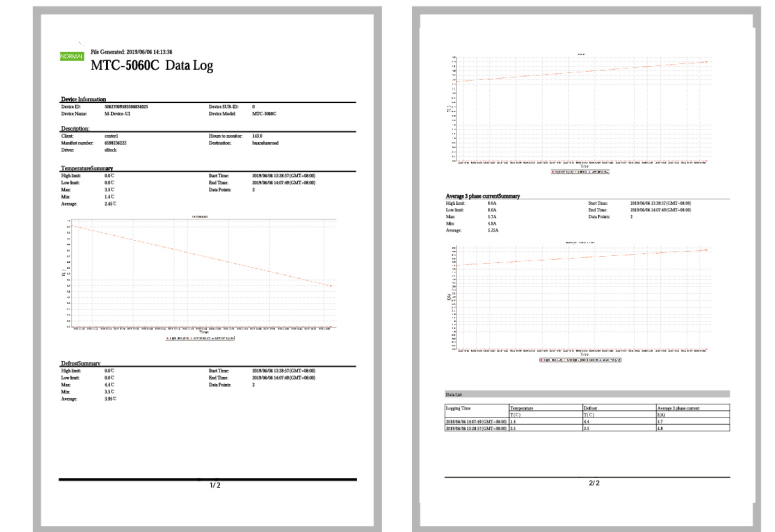
## Alarm & Notification

Temperature and humidity alarms will be sent to relevant accounts via email and app. Users can also subscribe to temperature and humidity information.



## FDA Data Analysis Report

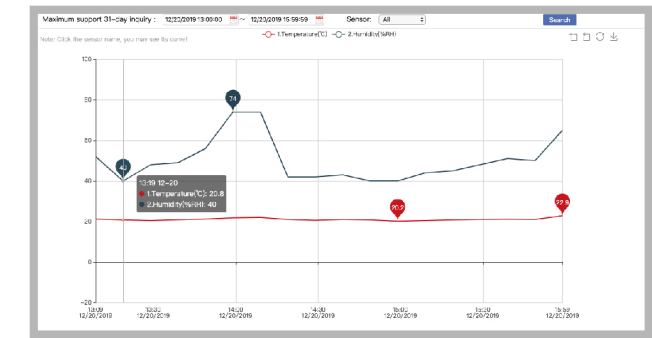
Comply with FDA and ensure compliance. Quickly generate temperature and humidity data analysis report that includes device and trip information, temperature and humidity list.



## History Query & Download

Historical data record and query, data analysis report export. Support historical data query, graph analysis and export to multiple formats like EXL and PDF.

Date	Logging Time	Temperature	Humidity	Alarm	Description
1	2019-12-20 16:59:00GMT-05:22UTC	65.0RH	50.0RH	Normal	
2	2019-12-20 15:49:00GMT-05:21UTC	57.5RH	57.5RH	Normal	
3	2019-12-20 15:39:00GMT-05:21UTC	48.0RH	48.0RH	Normal	
4	2019-12-20 15:29:00GMT-05:21UTC	45.0RH	45.0RH	Normal	
5	2019-12-20 15:19:00GMT-05:20UTC	44.0RH	44.0RH	Normal	
6	2019-12-20 15:09:00GMT-05:20UTC	44.0RH	44.0RH	Normal	
7	2019-12-20 14:59:00GMT-05:20UTC	42.0RH	42.0RH	Normal	
8	2019-12-20 14:49:00GMT-05:20UTC	42.0RH	42.0RH	Normal	
9	2019-12-20 14:39:00GMT-05:20UTC	42.0RH	42.0RH	Normal	
10	2019-12-20 14:29:00GMT-05:20UTC	42.0RH	42.0RH	Normal	
11	2019-12-20 14:19:00GMT-05:21UTC	42.0RH	42.0RH	Normal	
12	2019-12-20 14:09:00GMT-05:22UTC	74.0RH	74.0RH	Normal	
13	2019-12-20 13:59:00GMT-05:21UTC	74.0RH	74.0RH	Normal	
14	2019-12-20 13:49:00GMT-05:21UTC	56.0RH	56.0RH	Normal	
15	2019-12-20 13:39:00GMT-05:20UTC	49.0RH	49.0RH	Normal	
16	2019-12-20 13:29:00GMT-05:20UTC	48.0RH	48.0RH	Normal	
17	2019-12-20 13:19:00GMT-05:20UTC	40.0RH	40.0RH	Normal	
18	2019-12-20 13:09:00GMT-05:21UTC	52.0RH	52.0RH	Normal	



## PC

### Detailed Functions

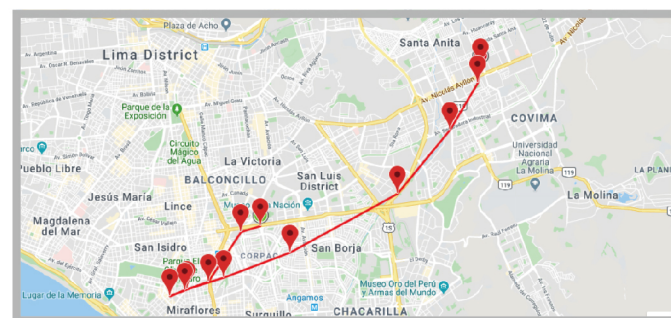
#### Real-Time Monitoring

Take control of goods information anywhere at any time, including temperature, humidity and real-time location.



#### Track Monitoring

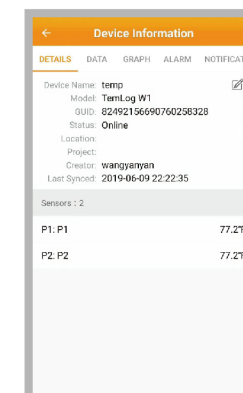
Generate the device's track and routes in the time period according to its location information.



## APP

#### Real Time Monitoring

Check device data and status anywhere and anytime.



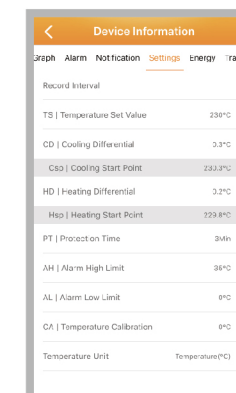
#### Data Query & Printing

Support historical data query, graphic analysis and data report printing via Bluetooth printer.



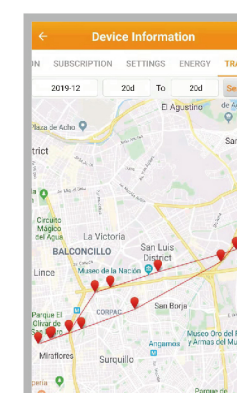
#### Parameter Settings

Configure device parameters remotely based on cargo shipments and storage.



#### Location & Track

Generate the device's track and routes in the time period according to its location information.

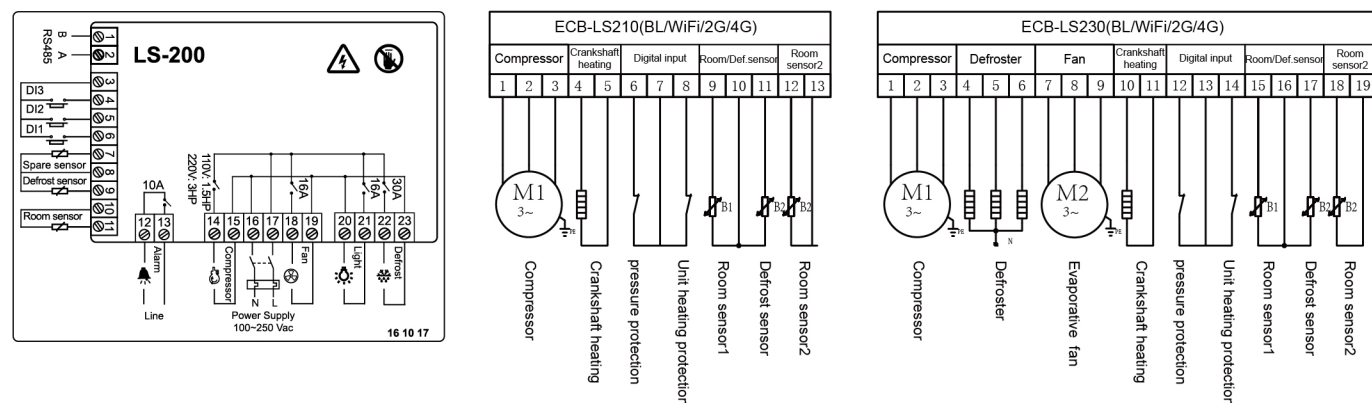




## Features

- Beautiful design subverts tradition.
- With the electric control box, the effective distance can reach 200 meters.
- Large panel LED screen, clear and intuitive, touch buttons.
- The control panel is separated from the electric control box and can be installed arbitrarily within 200 meters to easily reach the district city.
- The installation of the electric control box and the unit nearby greatly saves power lines and wiring costs.
- Separation of strong and weak electricity makes the controller far win the traditional strong electricity working environment, safer.
- Bluetooth, Wifi, 2G, 4G, multiple network connection mobile phone control, remote monitoring.
- Siemens Certified Partner of Electronic Control System for Freezing and Refrigeration Industry.

## Wiring Diagram



One Machine for One Storage		Split Type Electric Control System Specification		
Overview	Description	ECB-LS200(BL/WiFi/2G/4G)	ECB-LS210(BL/WiFi/2G/4G)	ECB-LS230(BL/WiFi/2G/4G)
	Control load	Compressor, defroster, air cooler	Compressor	Compressor, defroster, air cooler
Unit	Supply voltage	220VAC±10% 50/60HZ	3-phase 5-wire or 3-phase 4-wire 380VAC±10% 50/60HZ	
	Applicable compressor type	Piston compressors and scroll compressors		
	Applicable compressor power	3HP	5HP, 10HP, 15HP	
	Compressor contactor size	3HP	18A(5HP),25A(10HP),32A(15HP)	
	Compressor start mode	Direct start	Direct start	Direct start
	Condenser type	Air cooled	Air cooled	Air cooled
Storehouse	Cold storage type	Calandria/Fan cold storage	Calandria cold storage	Fan cold storage
	Defrost mode	Electric	Defrost-free	Electric
Temperature control	Thermostat model	LS-200	LS-300	LS-300
	Control range	-40℃ ~ 119℃		
	Control accuracy	±1℃		
	Display resolution	0.1℃		
	Temperature sensor type	NTC (10KΩ/25℃, B value 3435K) (5HP product defrost sensor length 5m, other products 8m)		
	Number of temperature sensors	Three lines of temperature sensors (two for storage temperature, and one for defrost temperature)		
	Compressor protection output delay	1~120 min, adjustable		
	Defrost start mode	Cyclic defrost and clock defrost, optional		
	External signal protection input:	Two lines of external signal input		
	Protection	Motor protector	The thermostat is self-contained (with phase missing, phase sequence, overload, three-phase unbalance and inverse time limit protection functions, among others)	
Current measuring range		0~80A		
Current measuring accuracy		±3% (within nominal range of the transformer) and ±2A (0~30A)		
Current display resolution:		1A		
Body	5-15HP dimensions (W*H*D)	261x167.5x95mm	260*320*135mm	260*320*135mm
	Color	White	Orange door and blue body	Orange door and blue body
Networking	Remote monitoring	Bluetooth/WiFi/2G/4G		
	Networking module	RCW-3		
Others	Service environment	Temperature:-10℃ ~ 60℃; Humidity: 20% ~ 90%RH, condensation prevention; Designed to be placed in a ventilated and dry environment away from heat sources and direct sunlight		

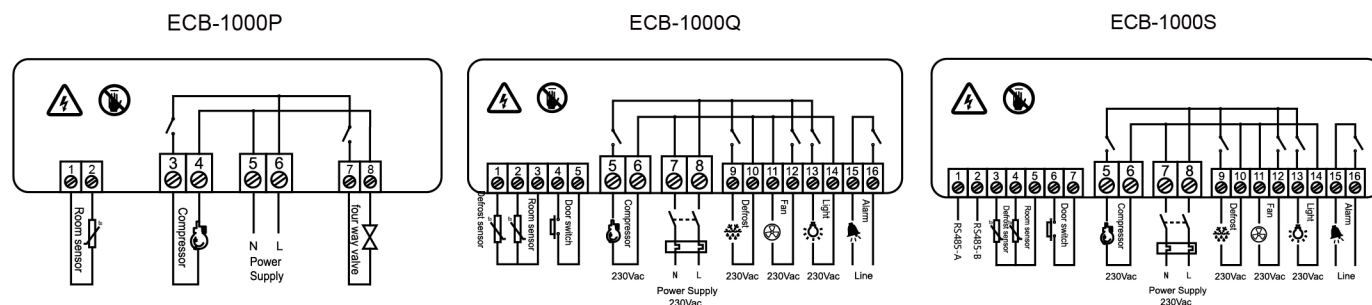


ECB-1000P  
ECB-1000Q  
ECB-1000S

## Features

- Multiple functions: refrigeration, defrost, fan, alarm and light.
- Compact clamshell with ABS flame retardant material.
- Waterproof, dustproof, quakeproof.
- High/Low temperature alarm, sensor fault alarm.
- Manual on/off; real-time view and change of parameters; clock display.
- Modbus-RTU communication.
- Much safer with more stability and reliability.
- Big output capacity, strong load capacity.

## Wiring Diagram



One Machine for One Storage		ECB-1000 Series Plastic Electric Cabinet Products Specification		
		ECB-1000P	ECB-1000Q	ECB-1000S
Function		Thermostat	Cooling	Cooling
Measuring range		-50-99 °C	-45-99 °C	-45-99 °C
Control range		-40-99 °C	-40-90 °C	-40-90 °C
Measuring accuracy		±1 °C (-40-50 °C); ±2 °C (others)	±1 °C	±1 °C
Voltage range		220V±10% 50/60Hz	220V±10% 50/60Hz	100-240VAC 50/60Hz
Overall power consumption		5W	5W	5W
Analog input	Temperature probe	•	•	•
	Defrost probe	—	•	•
Digital input	Door switch	—	•	•
	Multi-function 1(1)	—	—	—
	Multi-function 2(2)	—	—	—
Digital output	Compressor	2Hp	2Hp	2Hp
	Defrost	—	8A	8A
	Fan	—	5A	5A
	Light	—	5A	5A
	Alarm	—	5A	5A
Defrost type	Electric	—	•	•
	Hot gas	—	•	•
	Shutdown	•	—	—
Defrost type	Cyclic	•	•	•
	Real-time clock	—	•	•
Defrost mode	Clock mode	•	•	•
	Buzzer alarm	—	•	•
Other features	HACCP function	—	—	•
	High/low temp alarm	•	•	•
	Temperature unit CF	—	•	•
	ECO mode	—	•	•
Communication interface	RS-485	—	—	•
Networking function	WiFi(2.4GHz)	—	—	—
	4G	—	—	—
Operating temperature		-5-55 °C	-5-60 °C	-5-60 °C
Storage temperature		-20-60 °C	-20-75 °C	-20-75 °C
Dimensions (mm)		261*167.5*95mm	261*167.5*95mm	261*167.5*95mm



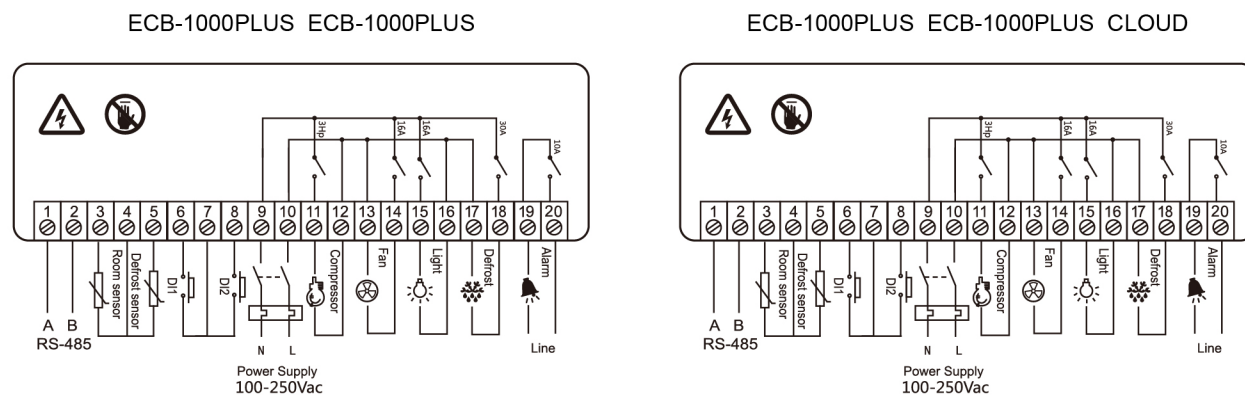
ECB-1000PLUS

ECB-1000PLUS CLOUD

### Features

- Multiple functions: refrigeration, defrost, fan and light
- Compact clamshell with ABS flame retardant material.
- Waterproof,dustproof,quakeproof.
- High/Low temperature alarm,sensor fault alarm.
- Manual on/off;real-time view and change of parameters;clock display.
- Modbus-RTU communication
- nternet access:WiFi&4G(only ECB-1000PLUS CLOUD)
- Much safer with more stability and reliability.
- Big output capacity ,strong load capacity.

### Wiring Diagram



One Machine for One Storage		ECB-1000 Series Plastic Electric Cabinet Products Specification	
		ECB-1000PLUS	ECB-1000PLUS CLOUD
Function		Cooling	Cooling
Measuring range		-49- 119 ℃	-49- 119 ℃
Control range		-40- 99 ℃	-40- 99 ℃
Measuring accuracy		±1 ℃ (-20- 50 ℃) ; ±1.5 ℃ (others)	±1 ℃ (-20- 50 ℃) ; ±1.5 ℃ (others)
Voltage range		100- 256VAC 50/60Hz	100- 256VAC 50/60Hz
Overall power consumption		7W	12W
Analog input	Temperature probe	•	•
	Defrost probe	•	•
Digital input	Door switch	—	—
	Multi-function 1(1)	•	•
	Multi-function 2(2)	•	•
Digital output	Compressor	3Hp	3Hp
	Defrost	30A	30A
	Fan	16A	16A
	Light	16A	16A
	Alarm	10A	10A
Defrost type	Four-way valve	—	—
	Electric	•	•
	Hot gas	•	•
Defrost type	Shutdown	—	—
	Cyclic	•	•
Defrost mode	Real-time clock	•	•
	Clock mode	•	•
	Buzzer alarm	•	•
Other features	HACCP function	—	—
	High/low temp alarm	•	•
	Temperature unit CF	•	•
	ECO mode	•	•
Communication interface	RS-485	•	•
Networking function	WiFi(2.4GHz)	—	•
	4G	—	•
Operating temperature		-10- 65 ℃	-10- 65 ℃
Storage temperature		-20- 75 ℃	-20- 75 ℃
Dimensions (mm)		261*167.5*95mm	261*167.5*95mm



ECB-2010W(4G/WiFi)

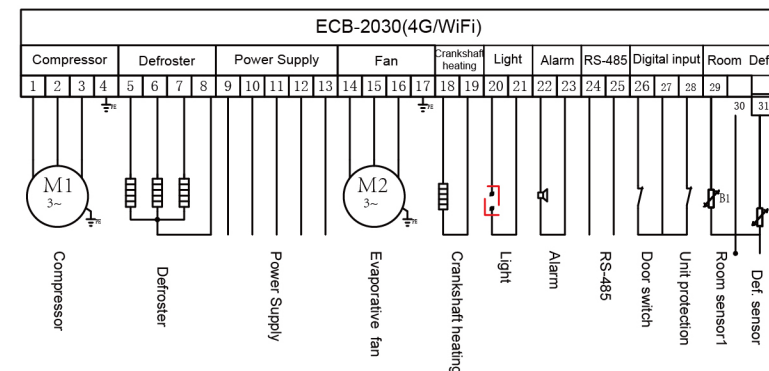
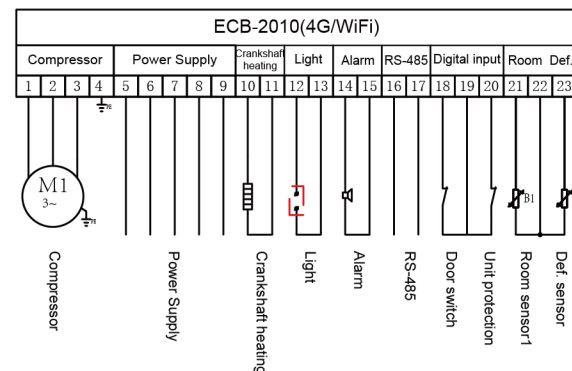


ECB-2030W(4G/WiFi)

## Features

- This series of electric cabinets are suitable for the control of medium and low temperature cold storage and quick freezers.
- The electric cabinet has a shell of ABS flame retardant material and modular design. It adopts a large panel screen with touch keys on which temperature parameters are displayed and monitored centrally. For hotels, supermarkets and other operating places, the product has business and non-business modes.
- It has various protection functions such as compressor high-pressure protection, low-pressure protection, module protection, overload protection, phase sequence protection, phase missing protection, three-phase unbalance protection and inverse time limit protection.

## Wiring Diagram



One Machine for One Storage		ECB-2000 Series Plastic Electric Cabinet Products Specification	
Overview	Description	ECB-2010W(4G/WiFi)	ECB-2030W(4G/WiFi)
	Control load	Compressor, defroster	Compressor, defroster, air cooler
Unit	Supply voltage	3-phase 5-wire or 3-phase 4-wire 380VAC±10% 50/60HZ	
	Applicable compressor type	Piston compressors and scroll compressors	
	Applicable compressor power	5HP, 10HP, 15HP	
	Compressor contactor size	18A(5HP),25A(10HP),32A(15HP)	
	Compressor start mode	Direct start	Direct start
	Condenser type	Air cooled	Air cooled
Storehouse	Cold storage type	Calandria cold storage	Fan cold storage
	Defrost mode	Defrost-free	Electric
Temperature control	Thermostat model	ECB-2000	ECB-2000
	Control range	-40℃ ~ 85℃	
	Control accuracy	±1℃	
	Display resolution	0.1℃	
	Temperature sensor type	NTC (10KΩ/25℃, B value 3435K) (sensor length 5m)	
	Number of temperature sensors	Two lines of temperature sensors (one for storage temperature, and one for defrost temperature)	
	Compressor protection output delay	1~120 min, adjustable	
	Defrost start mode	Cyclic defrost and clock defrost, optional	
	External signal protection input	Two lines of external signal input	
	Protection	Motor protector	The thermostat is self-contained (with phase missing, phase sequence, overload, three-phase unbalance and inverse time limit protection functions, among others)
Current measuring range		0~80A, equipment with instantaneous current exceeding 230A not allowed	
Current measuring accuracy		±3% (within nominal range of the transformer) and ±2A (0 ~ 30A)	
Current display resolution		0.1A	
Body	5-15HP dimensions (W*H*D)	380*329*140mm	380*329*140mm
	Color	White	
Networking	Remote monitoring	Product model with 4G/WiFi for networking	
	Networking module	RCW-2E	
Others	Service environment	Temperature:-10℃ ~ 60℃; Humidity: 20% ~ 90%RH, condensation prevention; Designed to be placed in a ventilated and dry environment away from heat sources and direct sunlight	



ECB-720WIFI

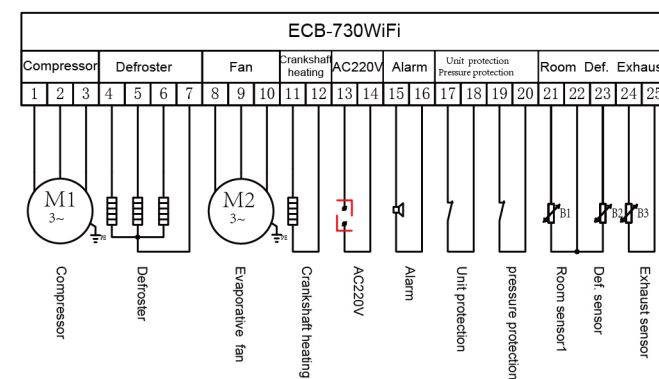
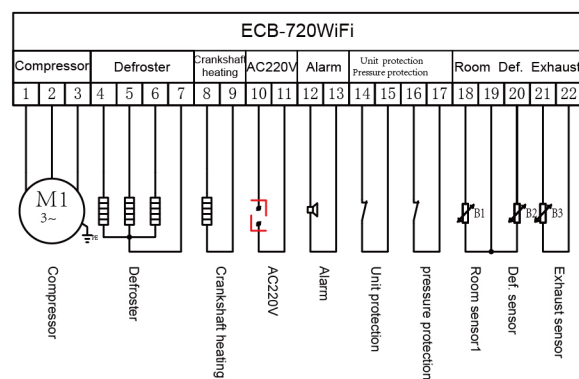


ECB-730WIFI

## Features

- This series of electric cabinets are suitable for the control of medium and low temperature cold storage and quick freezers.
- WIFI networked and with the Chinese human-machine interface, it can be operated without instructions;
- Measurement, display and control of storage temperature, defrost temperature and exhaust temperature;
- Functions of temperature correction and alarm for overtemperature, overrange and sensor fault;
- It has the function of high and low pressure input detection of the compressor. It can remotely check and modify the parameters of the unit and record and save the temperature data in real time on PC and mobile phone APP, thus realizing remote centralized monitoring of the cold storage.
- It has various protection functions such as compressor high-pressure protection, low-pressure protection, module protection, overload protection, phase sequence protection, phase missing protection and three-phase unbalance protection.

## Wiring Diagram



One Machine for One Storage		ECB-700 WIFI Series Electric Cabinet Products Specification	
Overview	Description	ECB-720WIFI	ECB-730WIFI
	Control load	Compressor, defroster	Compressor, defroster, air cooler
Unit	Supply voltage	3-phase 5-wire or 3-phase 4-wire 380VAC±10% 50/60HZ	
	Applicable compressor type	Piston compressors and scroll compressors	
	Applicable compressor power	5.5KW,7.5KW,10.5KW	
	Compressor contactor size	18A(5.5KW),25A(7.5KW),32A(10.5KW)	
	Compressor start mode	Direct start	Direct start
	Condenser type	Air cooled	Air cooled
Storehouse	Cold storage type	Fan cold storage	Fan cold storage
	Defrost mode	Electric	Electric
Temperature control	Thermostat model	LTC-700	LTC-700
	Control range	Storage temperature at defrost period-50℃ ~ 50℃ ; exhaust temperature 0℃ ~ 120℃	
	Control accuracy	±1℃ at-30℃ ~ 50℃ or ±2℃	
	Display resolution	0.1℃	
	Temperature sensor type	NTC (10KΩ/25℃ , B value 3435K) (5HP product storage temperature and defrost sensor length 5m, other products 8m)	
	Number of temperature sensors	Three lines of temperature sensors (one for storage temperature, one for defrost temperature, and one for exhaust temperature)	
	Compressor protection output delay	One line of unit comprehensive protection signal input, with alarm reminder for unit protection	
	External signal protection input	1 ~ 120 min, adjustable	
	Protection	Motor protector	The thermostat is self-contained (with phase missing, phase sequence, overload, three-phase unbalance and inverse time limit protection functions, among others)
Current measuring range		1 ~ 30A	
Current measuring accuracy		0-20A: ±1A; 20A-30A: ±5%	
Current display resolution		0.1A	
Body	5-15HP dimensions (W*H*D)	340*420*135mm	340*420*135mm
	Color	Blue door and white body	
Networking	Remote monitoring	With networking function	
	Networking module	The thermostat has its own WIFI networking module	
Others	Service environment	Temperature:-10℃ ~ 60℃ ; Humidity: 20% ~ 90%RH, condensation prevention; Designed to be placed in a ventilated and dry environment away from heat sources and direct sunlight	





ECB-5060S(SN/SW)



ECB-5080S(SN/SW)

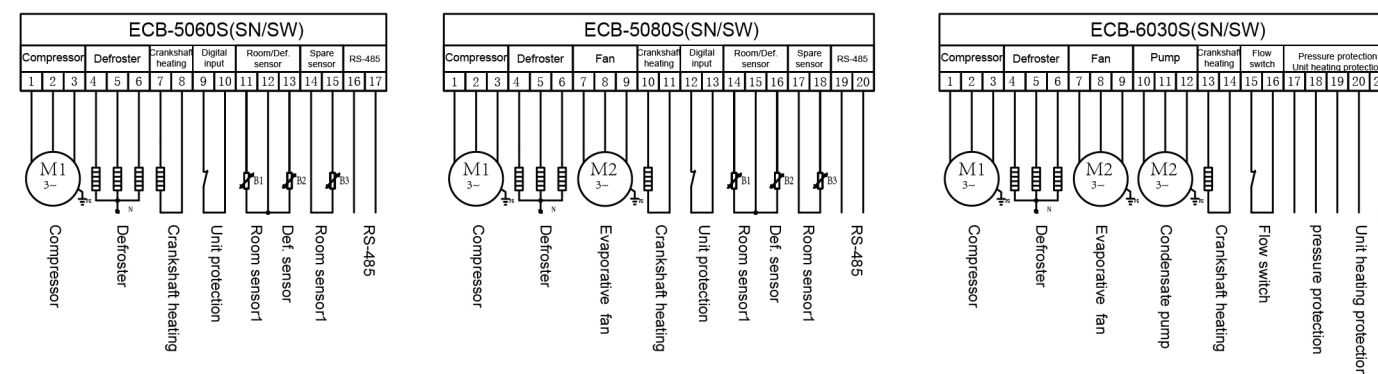


ECB-6030S(SN/SW)

## Features

- This series of electric cabinets are suitable for the control of medium and low temperature cold storage and quick freezers.
- The LTC-500B large screen controller is used for visual view of the current storage temperature and set temperature, and the multilingual operating system can be operated without instructions, which is convenient for customers to debug and use.
- With the function of IoT, it can remotely view and modify unit parameters and record and save temperature data in real time on PC and mobile phone APP to realize remote centralized monitoring of the cold storage.
- It has a variety of protection functions such as compressor high-pressure protection, low-pressure protection, module protection, overload protection, phase sequence protection, phase missing protection, three-phase unbalance protection and inverse time limit protection.

## Wiring Diagram



One Machine for One Storage		ECB-6000N IOT Series Electric Cabinet Products Specification		
Overview	Description	ECB-5060S(SN/SW)	ECB-5080S(SN/SW)	ECB-6030S(SN/SW)
	Control load	Compressor, defroster	Compressor, defroster, air cooler	Compressor, defroster, air cooler, condensate pump
Unit	Supply voltage	3-phase 5-wire or 3-phase 4-wire 380VAC±10% 50/60HZ (single-phase product supply voltage 220VAC±10% 50/60HZ)		
	Applicable compressor type	Piston compressors and scroll compressors		
	Applicable compressor power	5HP, 10HP, 15HP, 20HP, 25HP, 30HP (it is recommended to use one specification larger when using medium and high temperature cold storage)		
	Compressor contactor size	18A(5HP),25A(10HP),32A(15HP),40A(20HP),50A(25HP),65A(30HP)		
	Compressor start mode	Direct start	Direct start	Direct start
	Condenser type	Air cooled	Air cooled	Water cooling
Storehouse	Cold storage type	Fan cold storage	Fan cold storage	Fan cold storage
	Defrost mode	Electric	Electric	Electric
Temperature control	Thermostat model	MTC-6000N	MTC-6000N	MTC-6000N
	Control range	-50℃ ~ 50℃		
	Control accuracy	±1℃		
	Display resolution	0.1℃		
	Temperature sensor type	NTC (10KΩ/25℃, B value 3435K) (5HP product defrost sensor length 5m, other products 8m)		
	Number of temperature sensors	Three lines of temperature sensors (two for storage temperature, and one for defrost temperature)		
Protection	Compressor protection output delay	1~120 min, adjustable		
	Motor protector	0~80A		
	Current measuring range	±3% (within nominal range of the transformer) and ±2A (0~30A)		
	Current measuring accuracy	1A		
Body	Current display resolution	CP-6000N (with phase missing, phase sequence, overload, three-phase unbalance and inverse time limit protection functions, among others)		
	5-15HP dimensions (W*H*D)	340*420*135mm	340*420*135mm	400*550*180mm
	20-30HP dimensions (W*H*D)	350*470*180mm	400*550*180mm	400*550*180mm
Networking	Color	Blue door and white body		
	Remote monitoring	None for S series; 4G networking module for SN series; WIFI networking module for SW series		
Others	Networking module	RCW-2S		
	Service environment	Temperature: -10℃ ~ 60℃; Humidity: 20% ~ 90%RH, condensation prevention; Designed to be placed in a ventilated and dry environment away from heat sources and direct sunlight		



ECB-520B(4G/WiFi)

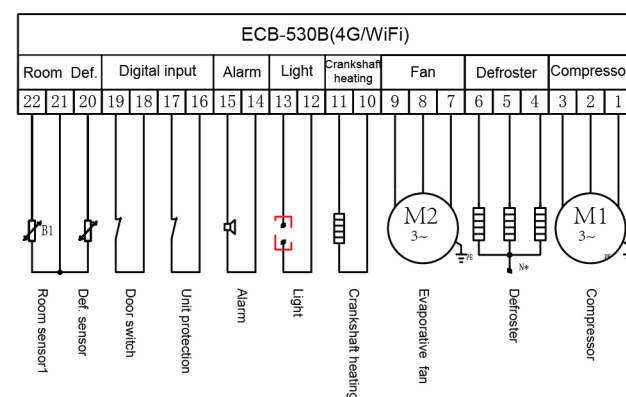
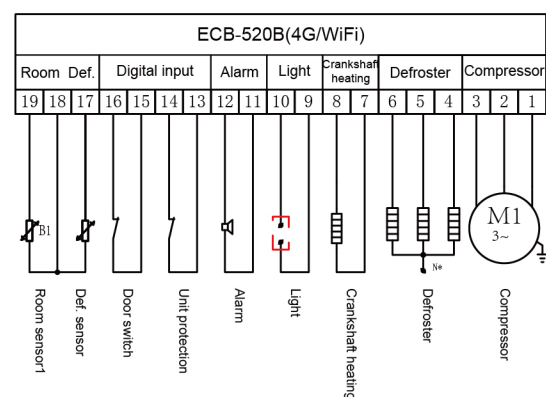


ECB-530B(4G/WiFi)

## Features

- This series of electric cabinets are suitable for the control of medium and low temperature cold storage and quick freezers.
- The LTC-500B large screen controller is used for visual view of the current storage temperature and set temperature, and the multilingual operating system can be operated without instructions, which is convenient for customers to debug and use.
- With the function of IoT, it can remotely view and modify unit parameters and record and save temperature data in real time on PC and mobile phone APP to realize remote centralized monitoring of the cold storage.
- It has a variety of protection functions such as compressor high-pressure protection, low-pressure protection, module protection, overload protection, phase sequence protection, phase missing protection, three-phase unbalance protection and inverse time limit protection.

## Wiring Diagram



One Machine for One Storage		ECB-500B IoT Series Electric Cabinet Products Specification	
Overview	Description	ECB-520B(4G/WiFi)	ECB-530B(4G/WiFi)
	Control load	Compressor, defroster	Compressor, defroster, air cooler
Unit	Supply voltage	3-phase 5-wire or 3-phase 4-wire 380VAC±10% 50/60HZ	
	Applicable compressor type	Piston compressors and scroll compressors	
	Applicable compressor power	5.5KW,7.5KW,10.5KW	
	Compressor contactor size	18A(5.5KW),25A(7.5KW),32A(10.5KW)	
	Compressor start mode	Direct start	Direct start
	Condenser type	Air cooled	Air cooled
Storehouse	Cold storage type	Fan cold storage	Fan cold storage
	Defrost mode	Electric	Electric
Temperature control	Thermostat model	LTC-500B	LTC-500B
	Control range	Storage temperature at defrost period-50℃ ~ 50℃ ; exhaust temperature 0℃ ~ 120℃	
	Control accuracy	±1℃ at -30℃ ~ 50℃ or ±2℃	
	Display resolution	0.1℃	
	Temperature sensor type	NTC (10KΩ/25℃ , B value 3435K) (5HP product storage temperature and defrost sensor length 5m, other products 8m)	
	Number of temperature sensors	Three lines of temperature sensors (two for storage temperature, and one for defrost temperature)	
	Compressor protection output delay	1~120 min, adjustable	
	External signal protection input	Two lines of unit comprehensive protection signal input, and two lines of auxiliary output	
Protection	Motor protector	The thermostat is self-contained (with phase missing, phase sequence, overload, three-phase unbalance and inverse time limit protection functions, among others)	
	Current measuring range	0~80A	
	Current measuring accuracy	±3% (within nominal range of the transformer) and ±2A (0~30A)	
	Current display resolution	0.1A	
Body	5-15HP dimensions (W*H*D)	350*470*180mm	350*470*180mm
	20-30HP dimensions (W*H*D)	500*650*180mm	500*650*180mm
	Color	Blue door and white body	
Networking	Remote monitoring	Product model with 4G/WiFi for networking	
	Networking module	RCW-2S	
Others	Service environment	Temperature:-10℃ ~ 60℃ ; Humidity: 20% ~ 90%RH, condensation prevention; Designed to be placed in a ventilated and dry environment away from heat sources and direct sunlight	